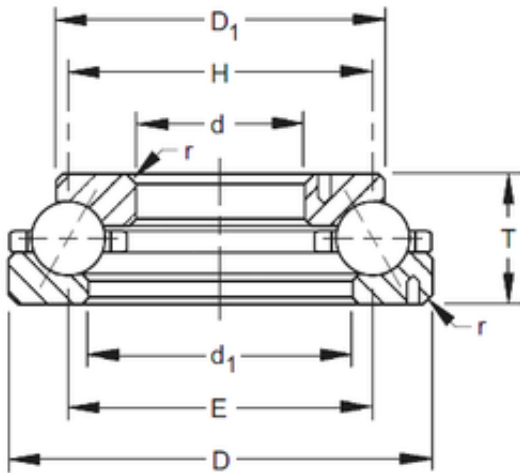


Timken 530TVL719 Angular contact ball bearings

Bearing No. 530TVL719



530TVL719 Bearing 2D drawings and 3D CAD models

Size	1346.2x1517.65x104.775 mm
Bore Diameter	1346,2 mm
Outer Diameter	1517,65 mm
Width	104,775 mm
d	1346,2 mm
D	1517,65 mm
T	104,775 mm
d1	1406,52 mm
D1	1457,32 mm
E	1431,9 mm
H	1431,9 mm