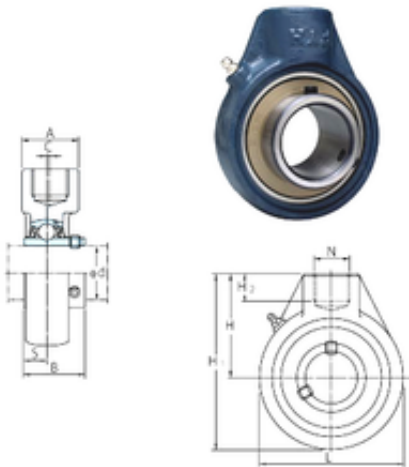


FYH UCHA212 Bearing units

Bearing No. UCHA212



UCHA212 Bearing 2D drawings and 3D CAD models

Bore Diameter	60 mm
Width	65,1 mm
d	60 mm
A	60 mm
B	65,1 mm
C	9 mm
H	102 mm
H1	173 mm
H2	28 mm
L	142 mm
S	25,4 mm
Bolt (G)	PF 1 1/4
Weight	3,9 Kg
Basic dynamic load rating (C)	52,4 kN
Basic static load rating (C0)	36,2 kN
Category	Hanger Unit Bearings
Inventory	0.0
Manufacturer Name	FYH BEARING UNITS
Minimum Buy Quantity	N/A
Weight / Kilogram	3.899
Product Group	M06110
Mounting Method	Set Screw
Housing Material	Cast Iron
Mounting Thread	1-1/4 Straight Pipe Female
Rolling Element	Ball Bearing
Insert Material	Steel



SJN Machinery Co., Ltd.

Expansion / Non-expansion	Non-expansion
Housing Style	Hanger Unit
Relubricatable	Yes
Insert Part Number	UC212
Seals	Single Lip Contact
Rating	Normal Duty
Other Features	Single Row Spherical NBR Seal Has Slinger
Long Description	60MM Bore; 102MM Base to Center Height; Set Screw; Hanger Unit; Cast Iron Housing; Ball Bearing; 142MM Housing Outside Diameter; 65.1MM Length Thru Bore; 173MM Housing Overall Length; Steel Insert; UC
Inch - Metric	Metric
Category	Mounted Hanger Units
UNSPSC	31171513
Harmonized Tariff Code	8483.20.40.40
Noun	Bearing
Keyword String	Hanger
Manufacturer URL	http://www.fyhbearings.com
Manufacturer Item Number	UCHA212
Weight / LBS	8.598
Bore	2.362 Inch 60 Millimeter
Length Thru Bore	2.563 Inch 65.1 Millimeter
Base to Center Height	4.016 Inch 102 Millimeter
Housing Outside Diameter	5.591 Inch 142 Millimeter
Housing Overall Length	6.811 Inch 173 Millimeter