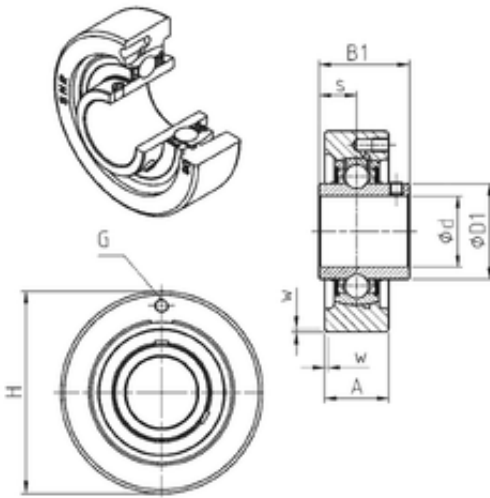


SNR UCC305 Bearing units

Bearing No. UCC305



UCC305 Bearing 2D drawings and 3D CAD models

Bore Diameter	25 mm
d	25 mm
s	15 mm
A	26 mm
B1	38 mm
D1	35,4 mm
H	90 mm
W	2,5 mm
Thread (G)	M6x1
Weight	1,4 Kg
Basic dynamic load rating (C)	22,36 kN
B	38 mm
A3	2.5 mm
A5	23 mm
G	M6x1
s1	19 mm
S	15 mm
SW	3 mm
C	22.36 kN
C0	11.5 kN
T min.	-20 ° C
T max.	100 ° C
Recommended tightening torque for set screw	5.5 Nm
Designation of housing	C305-
Designation of bearing	UC305G2



SJN Machinery Co., Ltd.