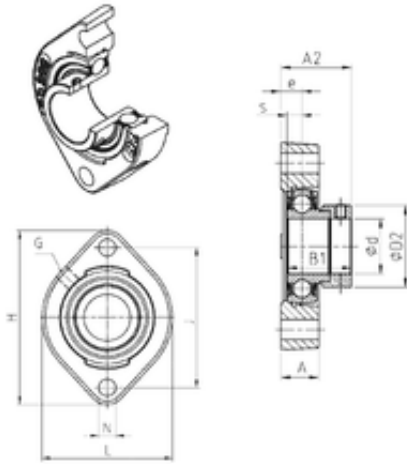




SJN Machinery Co., Ltd.

SNR ESFD208 Bearing units

Bearing No. ESFD208



ESFD208 Bearing 2D drawings and 3D CAD models

Bore Diameter	40 mm
d	40 mm
e	12,05 mm
s	11 mm
A	24 mm
B1	43,7 mm
D2	60,3 mm
H	148 mm
J	119 mm
L	104 mm
N	14 mm
Thread (G)	R1/8"
A2	44,8 mm
Weight	1,3 Kg
Basic dynamic load rating (C)	29,6 kN