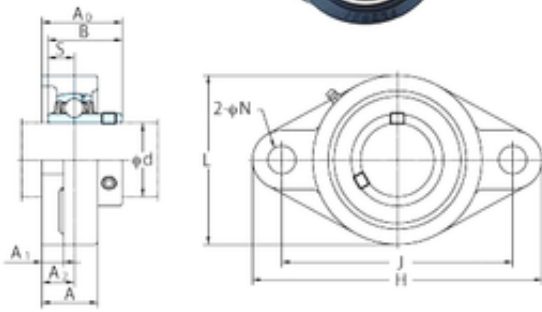


FYH UCFL206-19 Bearing units

Bearing No. UCFL206-19



UCFL206-19 Bearing 2D drawings and 3D CAD models

Bore Diameter	30,1625 mm
d	30,1625 mm
A0	40,2 mm
A	31 mm
A1	13 mm
B	38,1 mm
H	148 mm
J	117 mm
L	80 mm
N	16 mm
S	15,9 mm
Bolt (G)	13,9
Bolt (G)	M14
A2	18 mm
Weight	0,93 Kg
Basic static load rating (C0)	19,5 kN