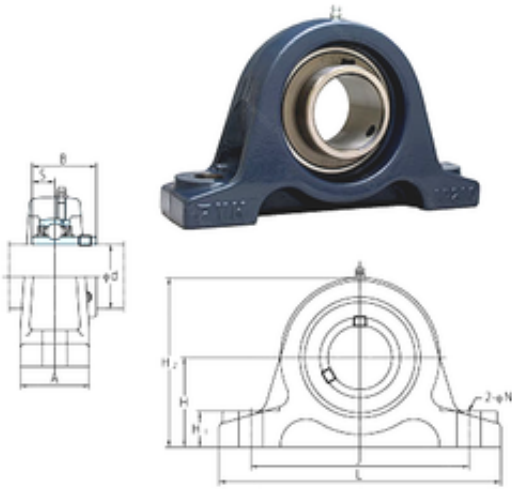


## FYH UCIP313-40 Bearing units

Bearing No. UCIP313-40



UCIP313-40 Bearing 2D drawings and 3D CAD models

Bore Diameter	63,5 mm
Width	75 mm
d	63,5 mm
A	70 mm
B	75 mm
H	110 mm
H1	30 mm
H2	208 mm
J	250 mm
L	310 mm
N	22 mm
S	30 mm
Bolt (G)	M20
Weight	13,4 Kg
Basic dynamic load rating (C)	92,7 kN
Basic static load rating (C0)	59,9 kN