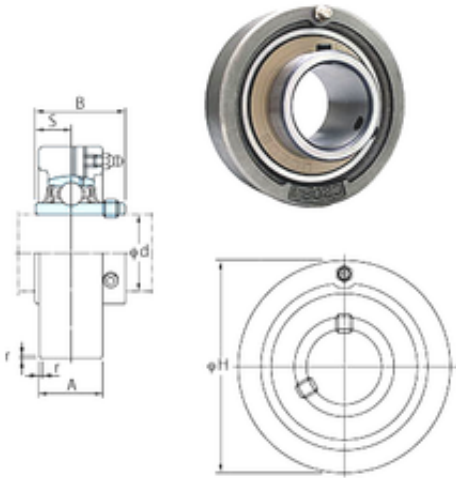




SJN Machinery Co., Ltd.

FYH UCC324 Bearing units

Bearing No. UCC324



UCC324 Bearing 2D drawings and 3D CAD models

Bore Diameter	120 mm
Width	126 mm
d	120 mm
r	5 mm
A	90 mm
B	126 mm
H	320 mm
S	51 mm
Weight	35,9 Kg
Basic dynamic load rating (C)	207 kN
Basic static load rating (C0)	185 kN