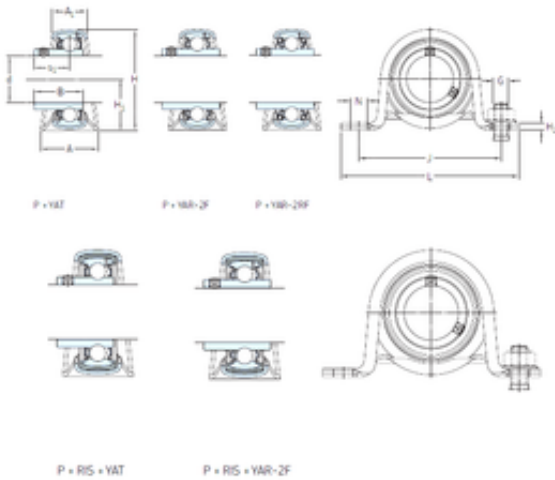


SKF P 72 R-30 TF Bearing units

Bearing No. P 72 R-30 TF



P 72 R-30 TF Bearing 2D drawings and 3D CAD models

Bore Diameter	30 mm
d	30 mm
s1	22,2 mm
A	41 mm
A1	27 mm
B	38,1 mm
H	78 mm
H1	39,2 mm
H2	5 mm
J	106 mm
L	130 mm
N	11,2 mm
Thread (G)	10
Weight	0,58 Kg
Basic dynamic load rating (C)	19,5 kN
Basic static load rating (C0)	11,2 kN
Housing material	Pressed steel
A ₁	27 mm
B ₄	5 mm
H ₁	39.3 mm
H ₂	5 mm
s ₁	22.2 mm
Basic dynamic load rating C	19.5 kN
Basic static load rating C ₀	11.2 kN
Fatigue load limit P _u	0.475 kN
Permissible radial housing	3.3 kN



SJN Machinery Co., Ltd.

load max.	
Limiting speed	6300 r/min
Mass bearing unit	0.58 kg
Thread grub screw G ₂	M6x0.75
Hexagonal key size for grub screw N	3 mm
Recommended tightening torque for grub screw	4 N · m
Recommended diameter for attachment bolts, mm G	10 mm
Recommended diameter for attachment bolts, inch G	0.375 in