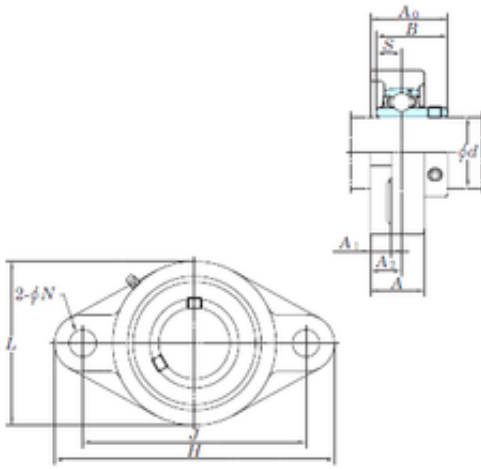


KOYO UCFL305-16 Bearing units

Bearing No. UCFL305-16



UCFL305-16 Bearing 2D drawings and 3D CAD models

Bore Diameter	25,4 mm
d	25,4 mm
A0	39 mm
A	29 mm
A1	13 mm
B	38 mm
H	150 mm
J	113 mm
L	80 mm
N	19 mm
S	15 mm
A2	16 mm
Weight	1,1 Kg
Basic static load rating (C0)	21,2 kN