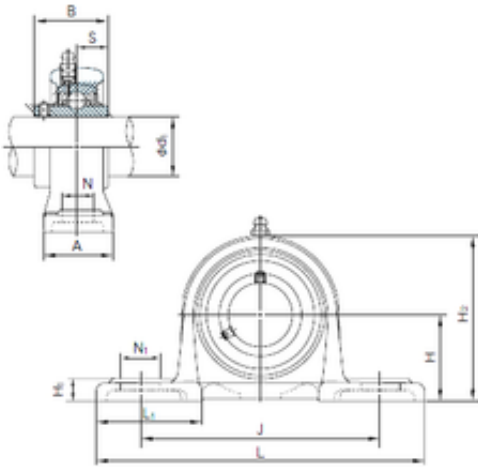




SJN Machinery Co., Ltd.

NACHI MUCP210 Bearing units

Bearing No. MUCP210



MUCP210 Bearing 2D drawings and 3D CAD models

Bore Diameter	50 mm
Width	51.6 mm
d	50 mm
A	45 mm
B	51.6 mm
H	57.2 mm
H1	14 mm
H2	112 mm
J	159 mm
L	206 mm
L1	65 mm
N	20 mm
N1	25 mm
S	19 mm
Bolt (G)	M16