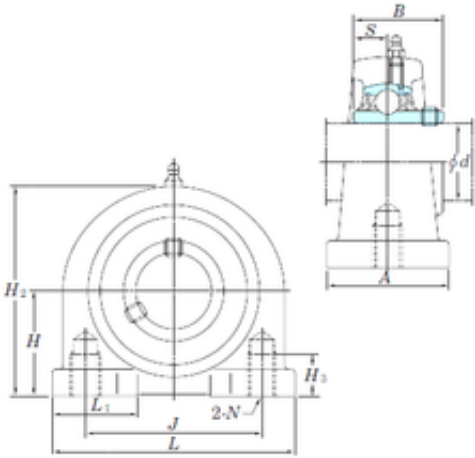


KOYO UCPA204-12 Bearing units

Bearing No. UCPA204-12



UCPA204-12 Bearing 2D drawings and 3D CAD models

Bore Diameter	19.05 mm
Width	31 mm
d	19.05 mm
H3	13 mm
A	40 mm
B	31 mm
H	30,2 mm
H2	60 mm
J	52 mm
L	76 mm
L1	27 mm
S	12,7 mm
Bolt (G)	M10 × 1,5
Weight	0,59 Kg
Basic dynamic load rating (C)	12,8 kN
Basic static load rating (C0)	6,65 kN