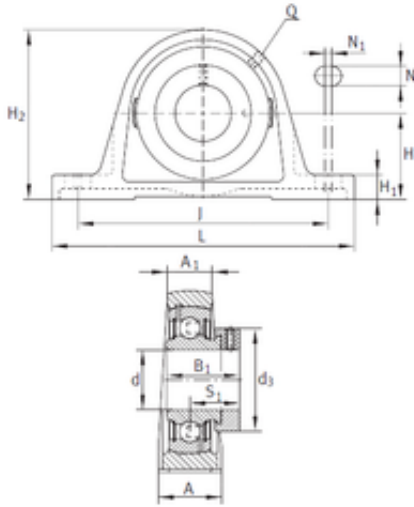




SJN Machinery Co., Ltd.



INA PAK2 Bearing units

Bearing No. PAK2

Bore Diameter	50,8 mm
d	50,8 mm
S1	36,399 mm
Thread (Q)	1/8 NPT
d3	69,012 mm
A	62,51 mm
A1	35,002 mm
B	48,489 mm
H	61,9 mm
H1	23,394 mm
H2	124,892 mm
J	175,743 mm
L	224,994 mm
N	18,009 mm
N1	11,253 mm
Category	Bearings
Inventory	0.0
Manufacturer Name	SCHAEFFLER GROUP
Minimum Buy Quantity	N/A
Weight / Kilogram	3.341
Product Group	M06110

PAK2 Bearing 2D drawings and 3D CAD models