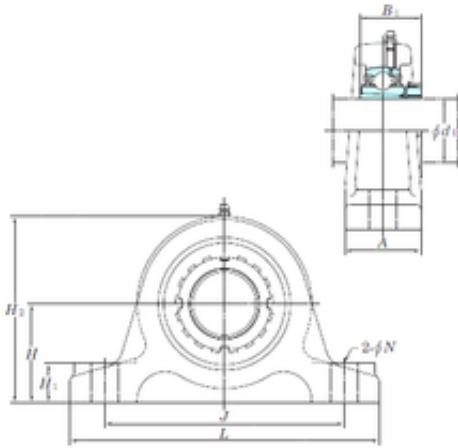


KOYO UKIP213 Bearing units

Bearing No. UKIP213



UKIP213 Bearing 2D drawings and 3D CAD models

Bore Diameter	57,15 mm
Width	90 mm
d	57,15 mm
A	70 mm
B1	50 mm
H	90 mm
H1	30 mm
H2	172 mm
J	220 mm
L	280 mm
N	22 mm
Bolt (G)	M20
Weight	8,7 Kg
Basic dynamic load rating (C)	57,2 kN
Basic static load rating (C0)	40,1 kN