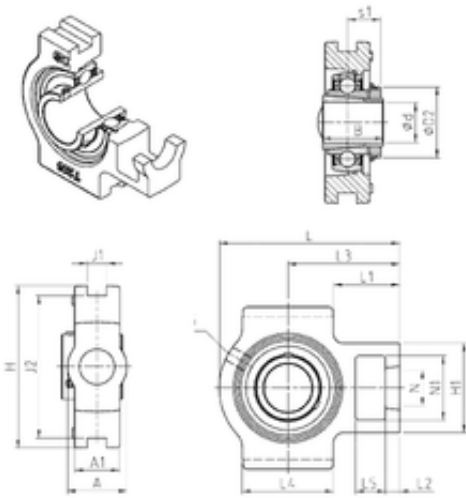


SNR UKT316H Bearing units

Bearing No. UKT316H



UKT316H Bearing 2D drawings and 3D CAD models

Bore Diameter	70 mm
d	70 mm
L4	160 mm
L5	42 mm
L2	30 mm
L3	174 mm
s1	44,5 mm
A	102 mm
A1	60 mm
B	78 mm
D2	105 mm
H	230 mm
H1	150 mm
L	282 mm
L1	94 mm
N	53 mm
N1	98 mm
Thread (G)	M10x1
J1	30 mm
J2	204 mm
Weight	16,2 Kg
Basic dynamic load rating (C)	122,85 kN
A2	60 mm
A5	44.5 mm
B1	78 mm
d1	105 mm



SJN Machinery Co., Ltd.

G	M10x1
H2	150 mm
N2	98 mm
C	122.85 kN
C0	86.5 kN
T min.	-20 ° C
T max.	100 ° C
Adapter sleeve reference	H2316
Designation of housing	T316-
Designation of bearing	UK316G2H