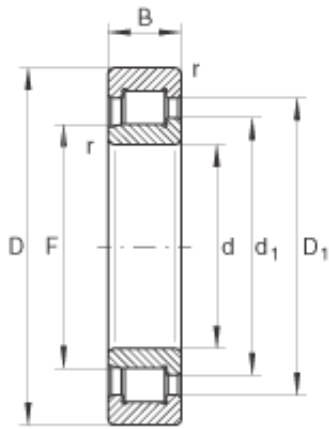


100 mm x 215 mm x 73 mm INA SL192320-TB
Cylindrical roller bearings



Bearing No. SL192320-TB

Size	100x215x73 mm
Bore Diameter	100 mm
Outer Diameter	215 mm
Width	73 mm
d	100 mm
D	215 mm
B	73 mm
D ₁	172,8 mm
d ₁	132,7 mm
F	119,3 mm
r _{min}	3 mm
s	4 mm / Axial displacement
m	13 kg / Weight
C _r	790000 N / Dynamic load rating (radial)
C _{0r}	850000 N / Static load rating (radial)
C _{ur}	148000 N / Fatigue limit load, radial
n _G	2110 1/min / Limiting speed

SL192320-TB Bearing 2D drawings and 3D CAD models