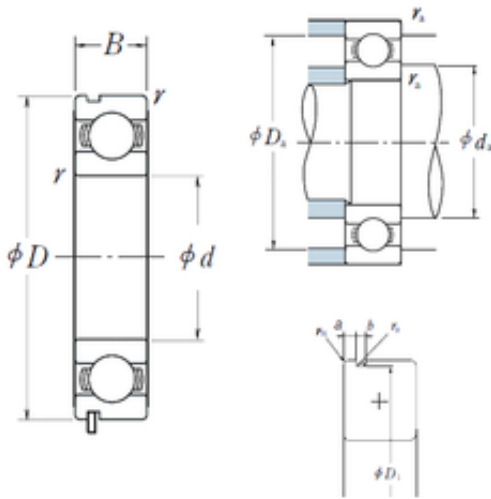


## 10 mm x 35 mm x 11 mm NSK 6300N Deep groove ball bearings

Bearing No. 6300N



6300N Bearing 2D drawings and 3D CAD models

Size	10x35x11 mm
Bore Diameter	10 mm
Outer Diameter	35 mm
Width	11 mm
d	10 mm
D	35 mm
B	11 mm
C	11 mm
rn	0,5 mm
a	2,06 mm
b	1,35 mm
r min.	0,6 mm
r0 max.	0,4 mm
D1	33,17 mm
da min.	14 mm
da max	16,5 mm
Da max.	31 mm
ra max.	0,6 mm
Weight	0,052 Kg
Basic dynamic load rating (C)	8,1 kN
Basic static load rating (C0)	3,45 kN
(Grease) Lubrication Speed	22 000 r/min
(Oil) Lubrication Speed	26 000 r/min
SRI	3.61
hidYobi	6300N



# SJN Machinery Co., Ltd.

LangID	1
ro	0.4
D_	35
SREX	0.04
B_	11
da min	14
hidTable	ecat_NSRDGB
Oil rpm	26000
SRE	3.86
mass	0.052
GRS rpm	22000
ra	0.6
SRIX	0.02
D_a	31
SRIN	0
C0	3.45
fo	11.2
SREN	0
DE_	29.644
Prod_Type3	DGBB_SR_N_OT
DA_	7.144
bomp	0
Z_	6
yobi	6300N
C_conv	8100
ALPHA_	0
SDM_	22.5
r	0.6
KBRG	6101
SBRG	3
DI_	15.356