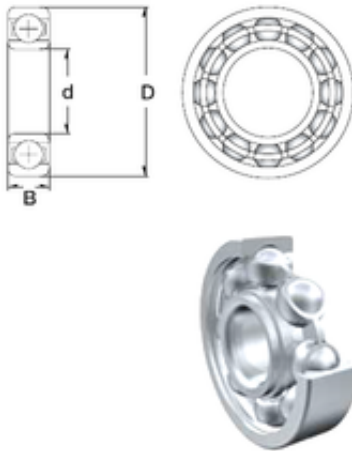




SJN Machinery Co., Ltd.

4 mm x 16 mm x 5 mm ZEN S634-2RS Deep groove ball bearings



Bearing No. S634-2RS

Size	4x16x5 mm
Bore Diameter	4 mm
Outer Diameter	16 mm
Width	5 mm
d	4 mm
D	16 mm
B	5 mm
C	5 mm
Basic dynamic load rating (C)	1,34 kN
Basic static load rating (C0)	0,523 kN

S634-2RS Bearing 2D drawings and 3D CAD models